

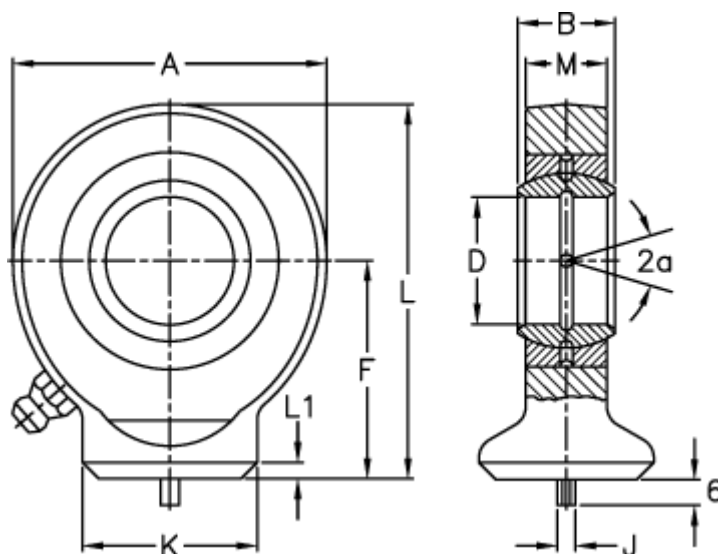
Data Sheet



Article number: 03555020

Description: Fluro hydraulic rod end FS 20C

Measures



A	= 53	L	= 64.5
a (degrees)	= 9	L1	= 3
B	= 16	M	= 13
D	= 20	Static load C0 (kN)	= 54
Dynamic load C (kN)	= 30	Weight	= 250
F	= 38		
J	= 4		
K	= 27.5		